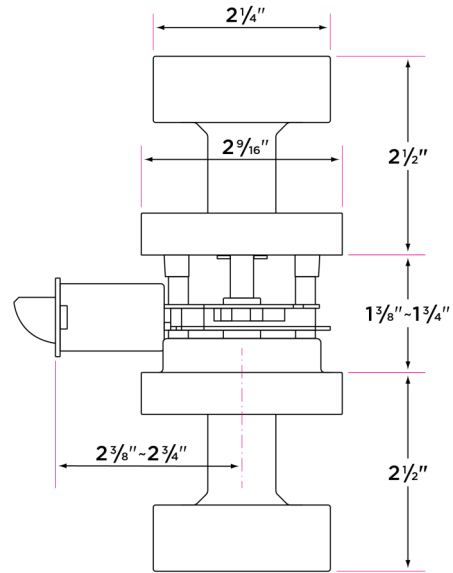


Zurich Knob - Round



ZH101-RD



DESCRIPTION

PRODUCT CODE

CASE

Passage (hall/closet) Both sides always free	ZH101-RD	12
Privacy (bed/bath) Locked by push pin. Unlocked by push pin, knob turn, or emergency pin outside	ZH102-RD	12
Entry-Locked/unlocked by inside finger turn or outside key	ZH107-RD	12
Dummy (closet) Inactive, single-sided, flush mount with two wood screws	ZH100-RD	24
Handleset Interior Trim	ZH100-HRD	24

Finishes

- 15 Satin Nickel
- 26 Polished Chrome
- FBL Flat Black
- SB Satin Brass

Door Handing

Non-handed

Door Thickness

1 3/8" to 1 3/4"

Key Cylinder

- 5 Pin KW1
- 5 Pin SC1 option

Strike Plate

2 1/4" x 1 3/4" full-lip radius corner standard

Latch

- 2 1/4" x 1" radius corner faceplate
- 4 way drive-in latch
- Adjustable 2 3/8" or 2 3/4"
- 45 degree turn radius
- 1/2" throw bolt

Door Prep

- Crossbore 2 1/8"
- Edgebore 1"

Materials

- Zinc
- All metal parts