

Sorrento Series



Materials

Stainless Steel

Specifications

3" extension from wall

2" base

Concealed screw mounting with slotted, standard head set screw

Plated steel mounting brackets with two screws each

Nylon drywall anchors included

Finishes

15 Satin Nickel

26 Polished Chrome

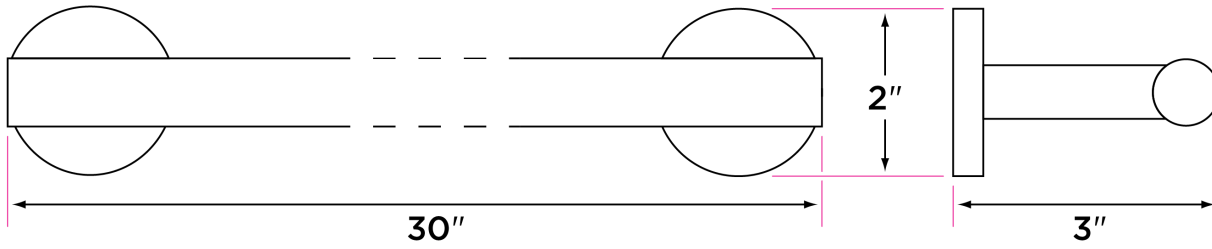
FBL Flat Black

SB Satin Brass

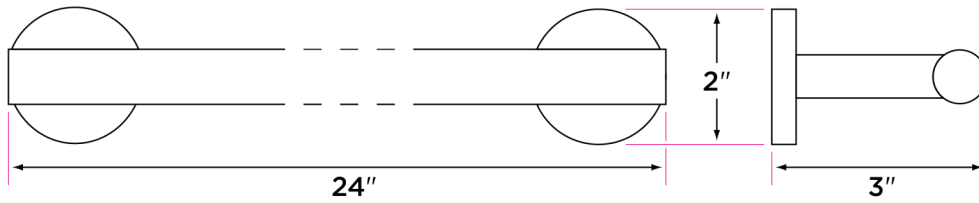
DESCRIPTION	PRODUCT CODE	CASE
9" Towel Bar	SO-TB9	20
24" Towel Bar	SO-TB24	20
30" Towel Bar	SO-TB30	20
Towel Ring	SO-TR1	30
Single Post Paper Holder	SO-PH1	30
Two-Post Pivot Paper Holder	SO-PH2PV	20
Robe Hook	SO-RH1	30



SO-TB30

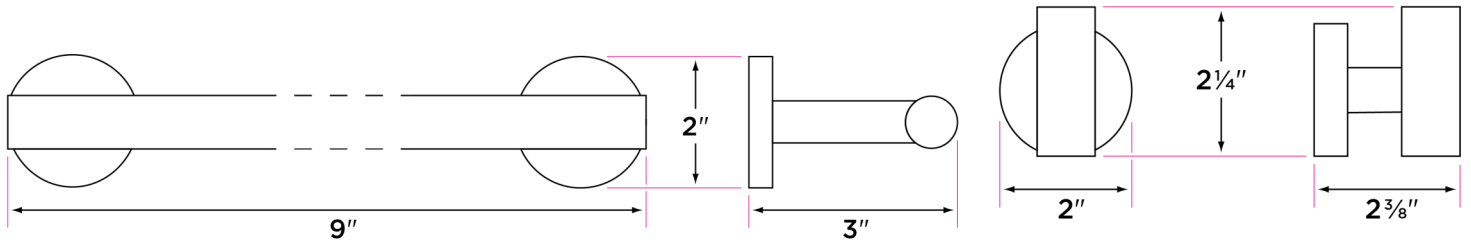


SO-TB24

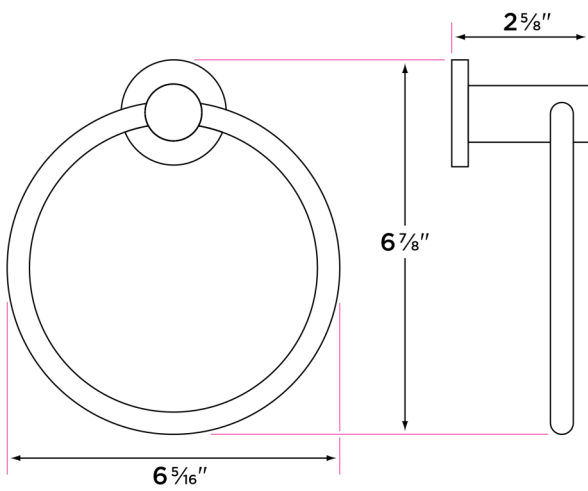


SO-RH1

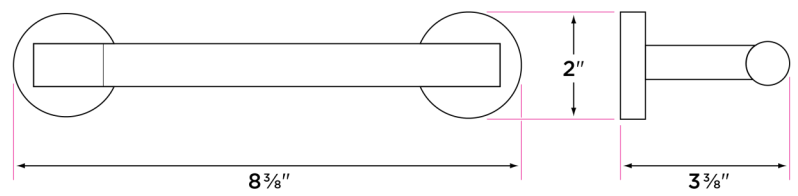
SO-TB9



SO-TR1



SO-PH2PV



SO-PH1

