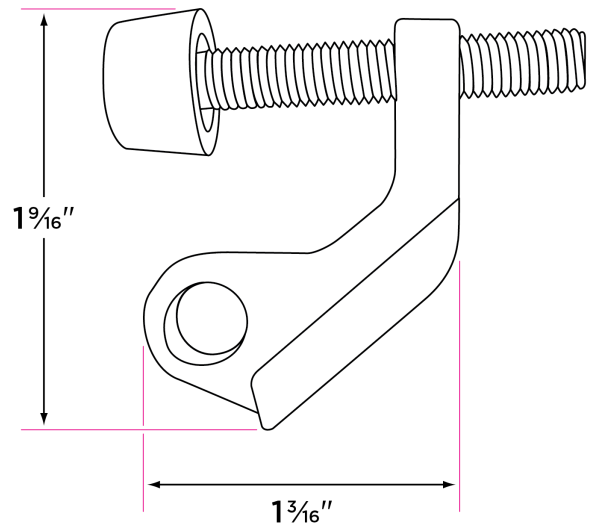


Hinge Door Stop

DS11



| DESCRIPTION | PRODUCT CODE | CASE/CARTON |
|-----------------|--------------|--------------|
| Hinge Door Stop | DS11 | 100bx/500ctn |

Finishes

- 15 Satin Nickel
- 11P Vintage Bronze
- FBL Flat Black
- SB Satin Brass

Screws

Installation hardware included.

Material

Zinc