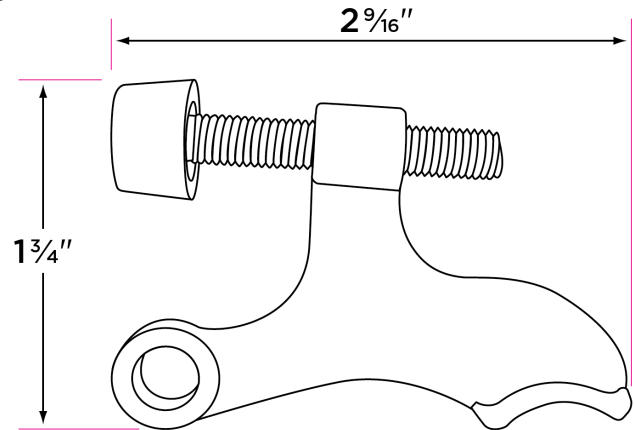


Heavy Duty Hinge Pin Stop



DS10



DESCRIPTION	PRODUCT CODE	CASE/CARTON
Heavy Duty Hinge Pin Stop	DS10	100bx/500ctn

Finishes

- 15 Satin Nickel
- 15A Antique Nickel
- 26 Polished Chrome
- FBL Flat Black
- SB Satin Brass

Screws

Installation hardware included

Material

Zinc