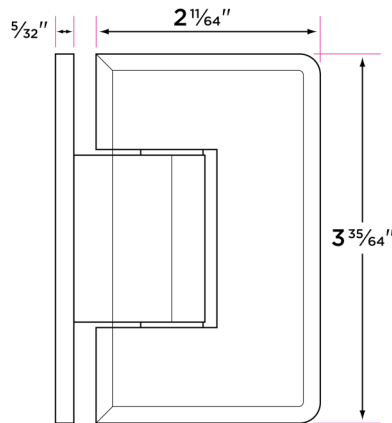


## 3 1/2" Shower Glass Hinges

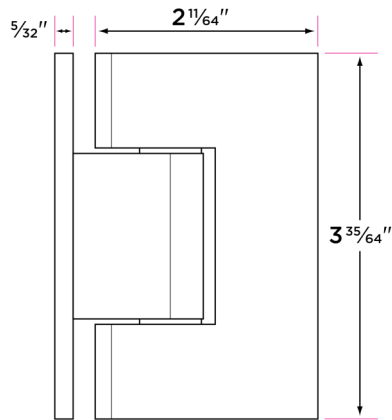


SHR-H3BV



Beveled Shower Glass Hinge

SHR-H3



Square Shower Glass Hinge

**DESCRIPTION**

**PRODUCT CODE**

**CASE**

**Beveled Shower Glass Hinge, 2 1/4" x 3 1/2"**

SHR-H3BV

50

**Square Shower Glass Hinge, 2 1/4" x 3 1/2"**

SHR-H3

50

### Finishes

- 15 Satin Nickel
- 26 Polished Chrome
- 11P Vintage Bronze
- FBL Flat Black
- SB Satin Brass

### Material

Solid brass

### Square Glass Hinge

Square edge

### Beveled Glass Hinge

Beveled edge

### Glass Thickness

Fits 3/8" - 1/2" (10-12mm) thick glass

### Maximum Weight Capacity

- 2 hinges hold up to 80lbs (36kg)
- 3 hinges hold up to 120lbs (54kg)

### Other Specifications

Wall to glass 90 degrees, double side opening

Self centering when within 15° of closing position