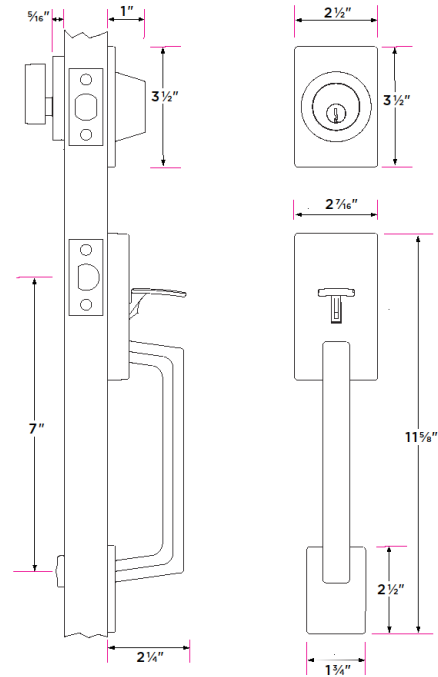


KN507

## Köln Handleset



### DESCRIPTION

### PRODUCT CODE

### CASE

DESCRIPTION	PRODUCT CODE	CASE
Köln Handleset with Round Thumb Turn	KN507-R	6
Köln Handleset with Square Thumb Turn	KN507-S	6
Köln Dummy Handleset	KN500	6

### Finishes

32D Stainless Steel

15 Satin Nickel

26 Polished Chrome

11P Vintage Bronze

### Door Handing

Non-handed

### Door Thickness

1 3/8" to 1 3/4"

Expansion pack available for 2 1/4" thick doors

### Key Cylinder

5 Pin KW1

5 Pin SC1 option

### Strike Plate

2 1/4" x 1 3/4" full-lip radius corner standard

2 1/4" x 1" deadbolt strike

### Latch

2 1/4" x 1" radius corner faceplate

Adjustable 2 3/8" and 2 3/4"

1/2" throw bolt

1" deadbolt throw

Cut resistant bolt with hardened steel rolling insert

### Door Prep

Crossbore 2 1/8"

Edgebore 1"

### Materials

Solid forged brass

All metal parts