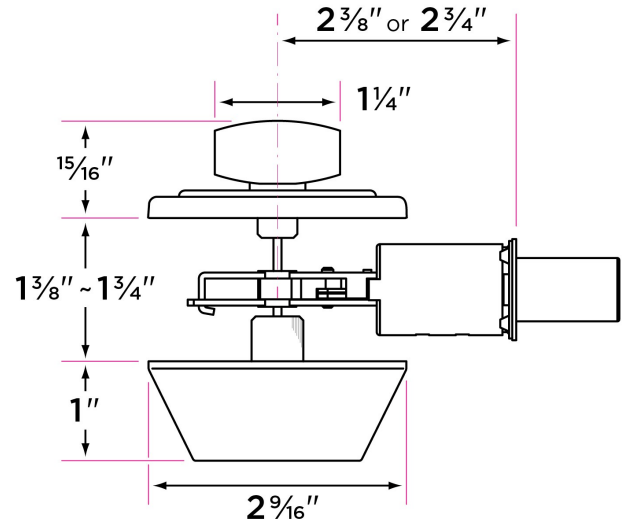


# Deadbolts

## Grade 2 Residential Deadbolt ANSI Grade 2 UL Deadbolt



DESCRIPTION

PRODUCT  
CODE

CASE

Single Cylinder Deadbolt

DB201-G2

12

### Finishes

15 Satin Nickel  
FBL Flat Black

### Door Handing

Non-handed

### Door Thickness

1 3/8" to 1 3/4"

### Key Cylinder

5 pin Schlage SC1

### Strike Plate

2 1/4" x 1 3/4" full-lip radius  
corner standard  
2 1/4" x 1" deadbolt strike

### Latch

2 1/4" x 1" radius corner  
faceplate  
Adjustable 2 3/8" - 2 3/4"  
1" throw bolt  
Cut resistant bolt with  
hardened steel rolling inserts

### Door Prep

Crossbore 2 1/8"  
Edgebore 1"

### Materials

Brass housing  
All metal parts