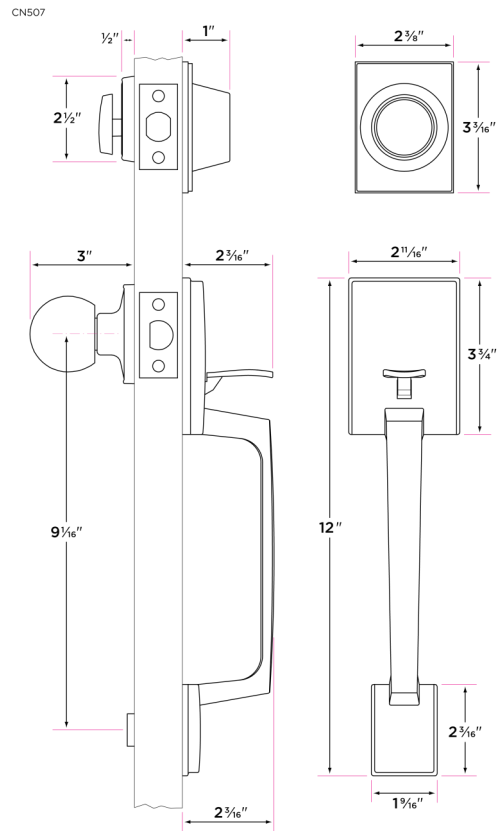


## Coronado Handleset



DESCRIPTION

PRODUCT CODE

CASE

Coronado Handleset

CN507

6

Coronado Dummy Handleset

CN500

6

### Finishes

15 Satin Nickel  
11P Vintage Bronze

### Door Handing

Non-handed

### Door Thickness

1 3/8" to 1 3/4"

### Key Cylinder

5 Pin KW1  
5 Pin SC1 Option

### Strike Plate

2 1/4" x 1 3/4" full-lip radius corner standard  
2 1/4" x 1" deadbolt strike  
and  
2 1/4" x 1 3/4" full-lip radius corner deadbolt strike

### Latch

2 1/4" x 1" radius corner faceplate  
Adjustable 2 3/8" and 2 3/4"  
1/2" throw bolt  
1" deadbolt throw  
Cut resistant bolt with hardened steel rolling inserts

### Door Prep

Crossbore 2 1/8"  
Edgebore 1"

### Materials

Solid forged brass  
All metal parts