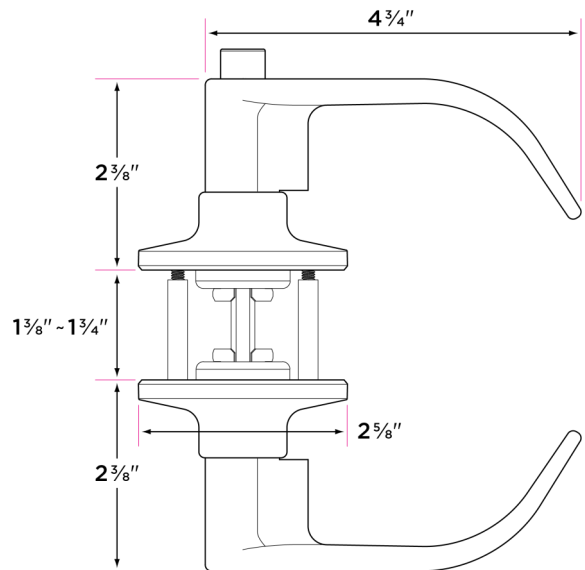


## Alder Lever grade 3, meets ADA requirements

AD102



DESCRIPTION	PRODUCT CODE	CASE
Passage (hall/closet) Both sides always free	AD101	24
Privacy (bed/bath) Locked by push button. Unlocked by inside lever turn, or emergency pin outside. Inside lever is always free.	AD102	24
Entry-Locked by inside push button or outside key. Unlocked by inside lever or outside key. Inside lever is always free.	AD107	12
Dummy (closet) Inactive, single-sided, flush mount with two wood screws	AD100	12

### Finishes

15 Satin Nickel  
FBL Flat Black

### Door Handing

Reversible Handing

### Door Thickness

1 3/8" to 1 3/4"

### Key Cylinder

5 Pin KW1  
5 Pin SC1 option

### Strike Plate

2 1/4" x 1 3/4" full lip radius corner standard

### Latch

Adjustable 2 3/8" - 2 3/4" backset  
1/2" throw bolt  
2 1/4" x 1" radius corner faceplate or 4 way drive-in latch

### Door Prep

Crossbore 2 1/8"  
Edgebore 1"

### Materials

Zinc  
All metal parts