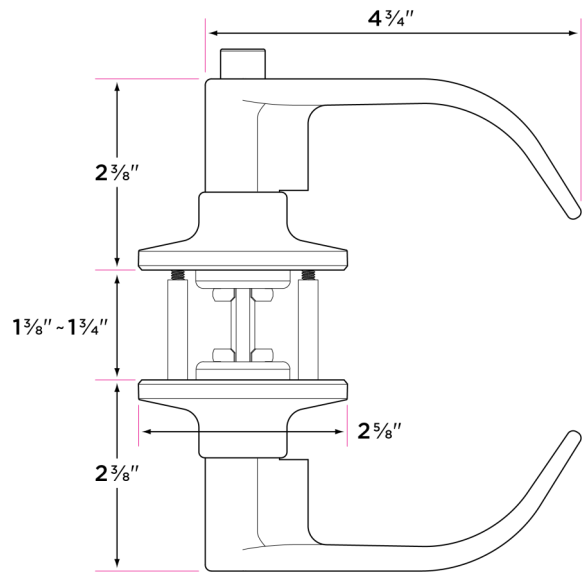


Alder Lever grade 3, meets ADA requirements



AD102



DESCRIPTION	PRODUCT CODE	CASE
Passage (hall/closet) Both sides always free	AD101	24
Privacy (bed/bath) Locked by push button. Unlocked by inside lever turn, or emergency pin outside. Inside lever is always free.	AD102	24
Entry-Locked by inside push button or outside key. Unlocked by inside lever or outside key. Inside lever is always free.	AD107	12
Dummy (closet) Inactive, single-sided, flush mount with two wood screws	AD100	12

Finishes

15 Satin Nickel
FBL Flat Black

Door Handing

Reversible Handing

Door Thickness

1 3/8" to 1 3/4"

Key Cylinder

5 Pin KW1
5 Pin SC1 option

Strike Plate

2 1/4" x 1 3/4" full lip radius corner standard

Latch

Adjustable 2 3/8" - 2 3/4" backset

1/2" throw bolt

2 1/4" x 1" radius corner face-plate or 4 way drive-in latch

Door Prep

Crossbore 2 1/8"

Edgebore 1"

Materials

Zinc
All metal parts