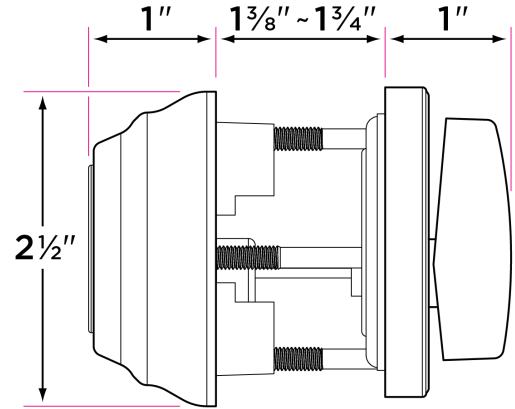


Elegance Deadbolt

DB201-EG



DESCRIPTION

PRODUCT
CODE

CASE

Single Cylinder Deadbolt

DB201-EG

24

Finishes

15 Satin Nickel
11P Vintage Bronze

Door Handing

Non-handed

Door Thickness

1 3/8" to 2 1/4"

Key Cylinder

5 pin KW1
5 pin SC1 option

Strike Plate

2 1/4" x 1" deadbolt strike

Latch

2 1/4" x 1" radius corner
faceplate or
4 way drive-in latch
Adjustable 2 3/8" or 2 3/4"
1" throw bolt
Cut resistant bolt with
hardened steel rolling inserts

Door Prep

Crossbore 2 1/8"
Edgebore 1"

Materials

Solid forged brass
All metal parts