

Door Closer DC71N

Matches Norton 8300 hole pattern



DESCRIPTION	PRODUCT CODE	CASE
Door Closer, Matches Norton 8300 Hole Pattern, Adjustable 1-6	DC-C71N	4
Hold-Open Arm for DC71N	DC-HOA71	4

Finishes

SP Silver Powder Coat

Door Handing

Reversible, non-handed for RH or LH swing doors

Adjustable Power Size

1-6

Features

- Adjustable closing and latching speed
- Adjustable backset
- Thermo-constant valve
- Rack-and-pinion
- Parallel bracket included

Certifications

- ANSI Grade I A156.4 G1
- UL Listed
- ADA Compliant

Applications

- Standard Arm
- Top Jamb
- Parallel Arm

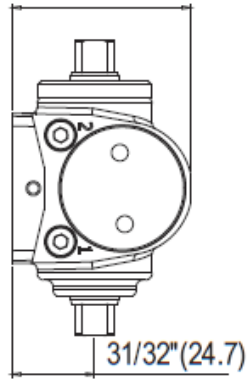
Door Weight

Up to 180 lbs

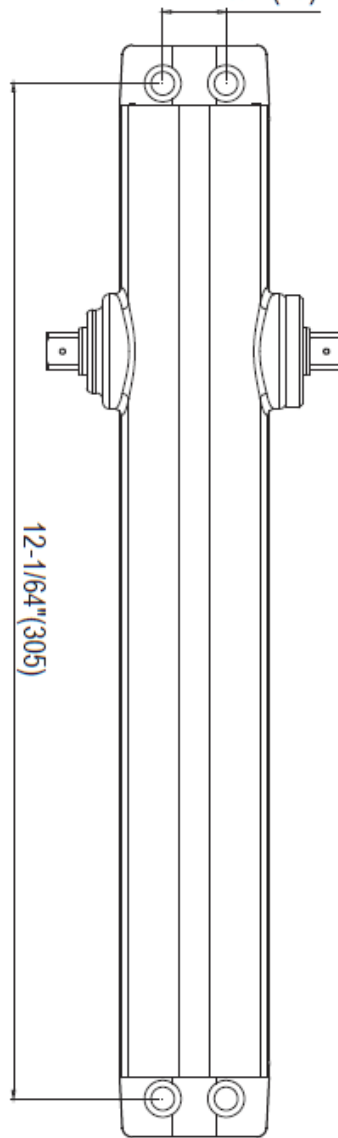
Materials

- Cast Aluminum Body
- Steel Arm
- Plastic Cover (included)

2-7/64"(53.5)



3/4"(19)



11-1/2"(292)

