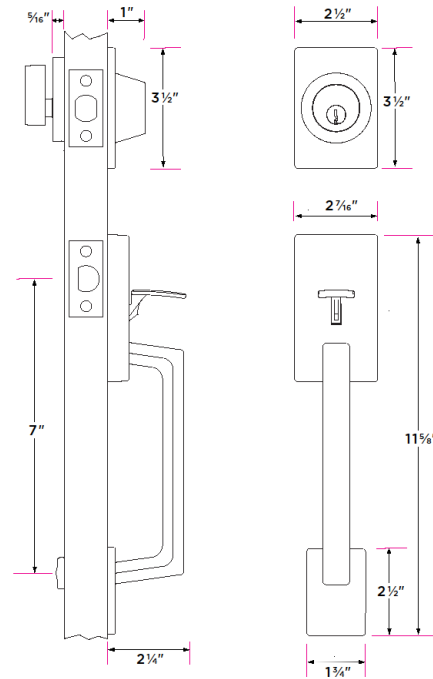


Köln Handleset



DESCRIPTION

PRODUCT CODE

CASE

DESCRIPTION	PRODUCT CODE	CASE
Köln Handleset with Round Thumb Turn	KN507-R	6
Köln Handleset with Square Thumb Turn	KN507-S	6
Köln Dummy Handleset	KN500	6

Finishes

- 32D Stainless Steel
- 15 Satin Nickel
- 26 Polished Chrome
- 11P Vintage Bronze

Door Handing

Non-handed

Door Thickness

1 3/8" to 1 3/4"
Expansion pack available for 2 1/4" thick doors

Key Cylinder

5 Pin KW1
5 Pin SC1 option

Strike Plate

2 1/4" x 1 3/4" full-lip radius corner standard
2 1/4" x 1" deadbolt strike

Latch

2 1/4" x 1" radius corner faceplate
Adjustable 2 3/8" and 2 3/4"
1/2" throw bolt
1" deadbolt throw
Cut resistant bolt with hardened steel rolling insert

Door Prep

Crossbore 2 1/8"
Edgebore 1"

Materials

Solid forged brass
All metal parts