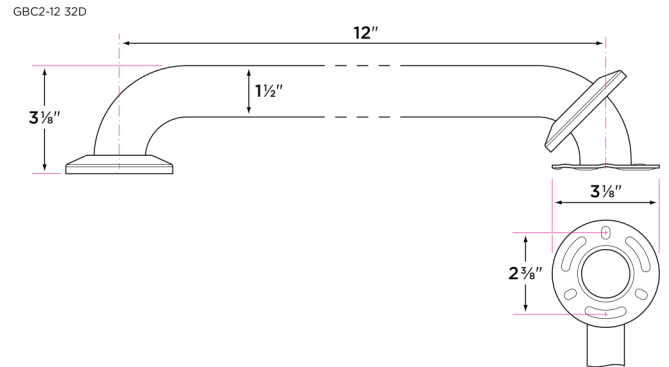
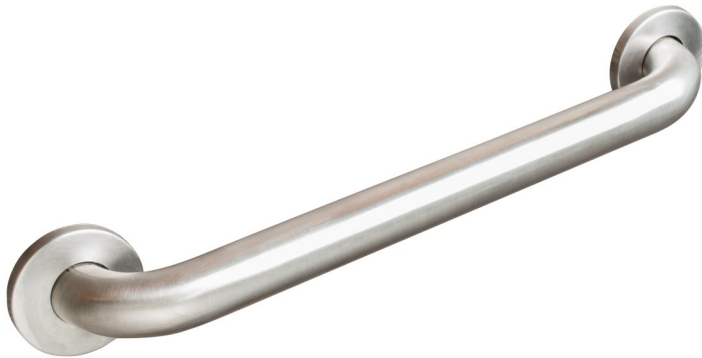


1 1/2" (38mm) Diameter Stainless Steel Grab Bars with Snap Flange



DESCRIPTION	PRODUCT CODE	CASE
12" Grab Bar	GBC2-12	10
18" Grab Bar	GBC2-18	10
24" Grab Bar	GBC2-24	10
30" Grab Bar	GBC2-30	10
36" Grab Bar	GBC2-36	10
42" Grab Bar	GBC2-42	10
48" Grab Bar	GBC2-48	10

Testing

Meets ADA requirements
Withstands up to 500 pounds

Screws

Concealed screw snap flange
2" Stainless steel

Measurements

3 1/4" mounting flange
1 1/2" bar diameter
1 3/4" wall clearance

Materials

304 Stainless steel bar
All metal parts

Finishes

32D Satin Stainless
FBL Flat Black

Thickness

18 Gauge