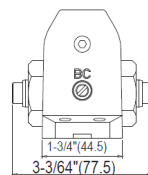
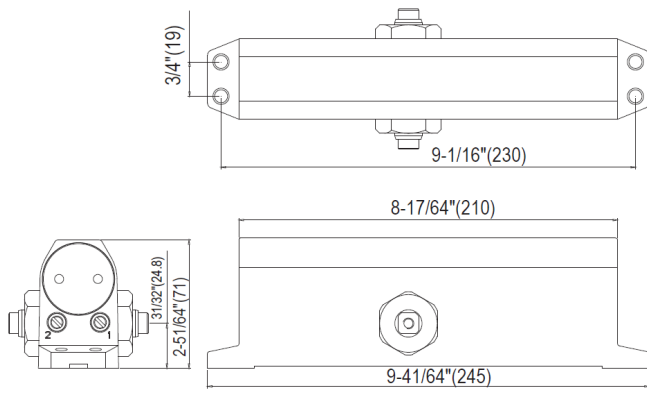


## Door Closer DC53E

Matches Norton 1601 hole pattern



### DESCRIPTION

### PRODUCT CODE

### CASE

Door Closer, Matches Norton 1601 hole pattern, adjustable 1-5

DC-C53E

6

Hold-Open Arm for DC53E

DC-HOA53

6

### Finishes

SP Silver Powder Coat

### Door Handing

Reversible, non-handed for RH or LH swing doors

### Adjustable Power Size

1-5

### Features

Adjustable closing and latching speed  
Adjustable backcheck  
Surface mount  
Rack-and-pinion design  
Parallel bracket included

### Certifications

ANSI Grade I  
UL Listed  
ADA Compliant

### Applications

Standard Arm  
Top Jamb  
Parallel Arm

### Door Weight

Up to 155 lbs

### Materials

Cast Aluminum Body  
Steel Arm  
Molded Plastic Cover